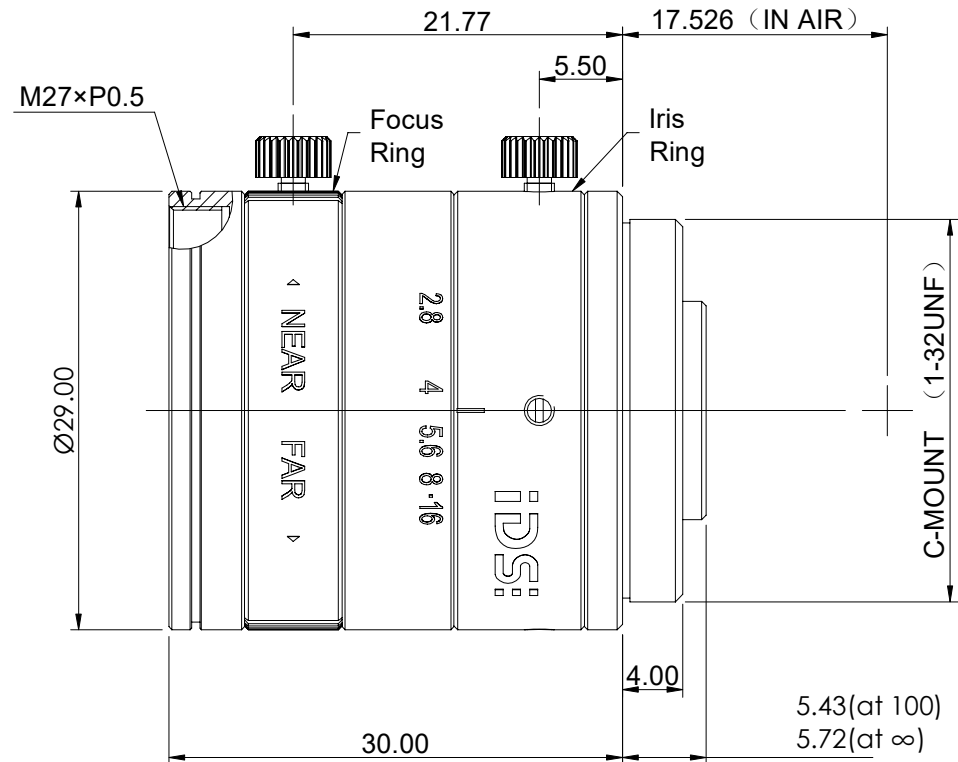
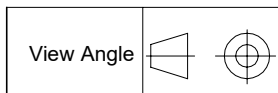


Optical Specification	
Model	Lens, IDS, IDS-8M118-C0828, 8 mm, 1/1.8"
Article Numer	AE00326
Resolution	2.2 $\mu$ m
Sensor	1/1.8"
Focal Length(mm)	8
Adjustion Type	Manual
F NO.	F2.8-F16
Working Distance(mm)	100~ $\infty$
Mag. at MOD	0.071X at WD100
TV Distortion	<0.18% at WD300
Back Focal Length(mm)	12.99 at WD100
	12.34 at Infinity
Chief Ray Angle	<5°
Mount	C mount
Filter(mm)	M27×P0.5
Size(mm)	Ø29.00×30.00
Weight	0.05kg
Working Temperature	-20°C~+60°C



Unit:mm



Standard Difference

IT14

Remark

Item	Signature	Date
Drawing		
Design		
Check		
Approve		
Paper Size	A4	
Revised Date	2020-08-03	

**IDS** IDS Imaging Development Systems GmbH

Lens, IDS, IDS-8M118-C0828, 8 mm, 1/1.8"

Scale	Page	1/1 Total Page	Version	A01
-------	------	----------------	---------	-----

Copyright © 2020 by  
IDS Imaging Development Systems GmbH  
All Rights Reserved