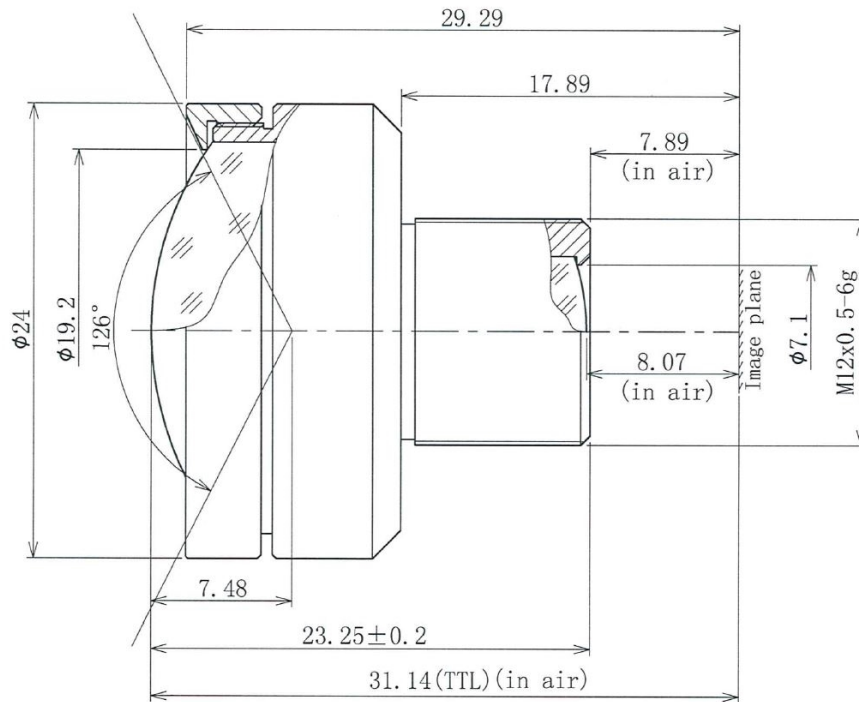


# BM4018S118



The S-Mount lens Lensagon BM4018S118 is suitable for common sensors up to 3 megapixel with an image format of 1/1.8 inch. It is characterized by a particularly high light intensity. Numerical Aperture: 0.5

## Technical Data

Mount	S-Mount
Sensor	1/1.8 - 1/2 inch Sensor
Focal Length	4 mm
Aperture	1.8
MOD	0.2 m
Back Focal	8 mm
Angle of View	D:126° H:101° V:76°
Megapixel	3 MP
IR Correction	Yes
Optical Distortion	-45 %
Weight	19 g
Iris	fixed
Focus	fixed
Chief ray angle	10 °
Typ	Standard



Light Sensitive



3 Megapixel