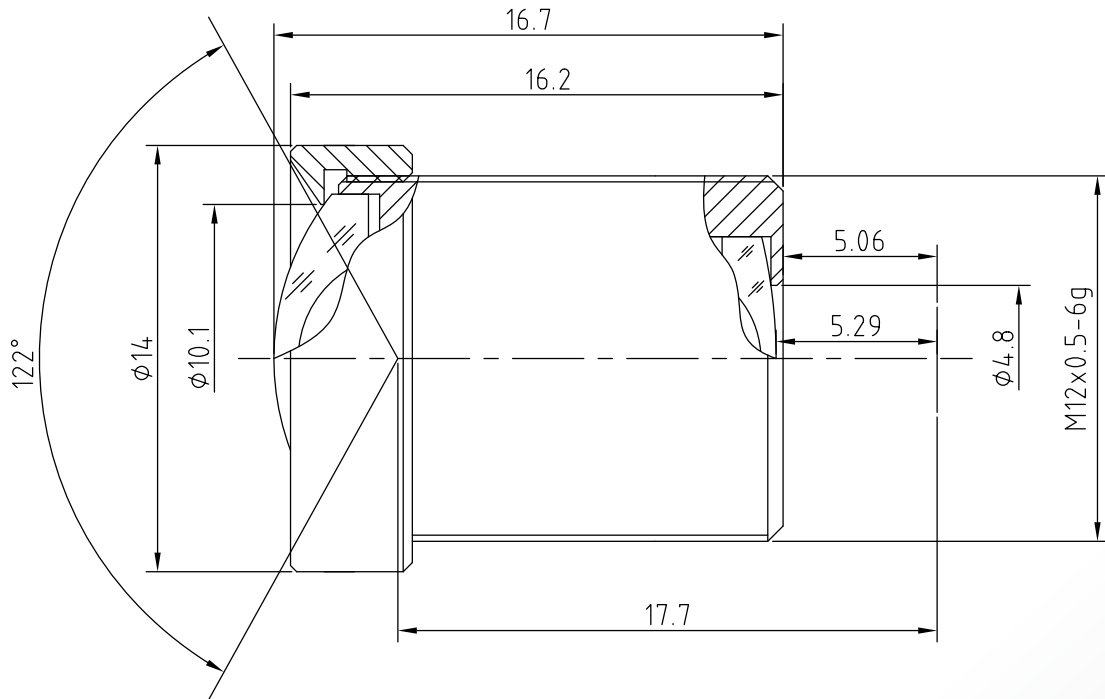


Lensagon BM2820



The S-Mount lens Lensagon BM2820 is suitable for sensors below 1 megapixel with an image format of 1/3 inch. It is characterized by a particularly high light intensity.

Technical Data

| | |
|--------------------|--------------------|
| Mount | S-Mount |
| Sensor | 1/3 inch |
| Focal Length | 2.8 mm |
| Aperture | 2 |
| MOD | 0.2 m |
| Back Focal | 5.29 mm |
| Angle of View | D:122° H:98° V:73° |
| IR Correction | Yes |
| Optical Distortion | -40 % |
| Weight | 5.2 g |
| Iris | fixed |
| Focus | fixed |
| Typ | Standard |



Light Sensitive